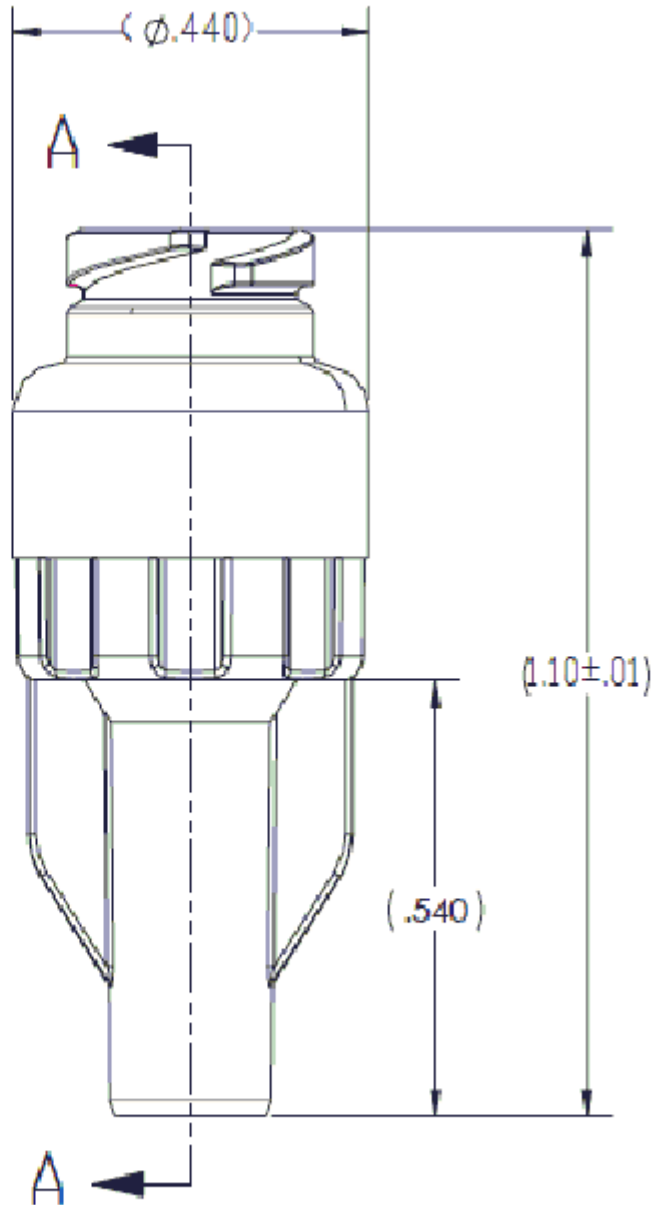
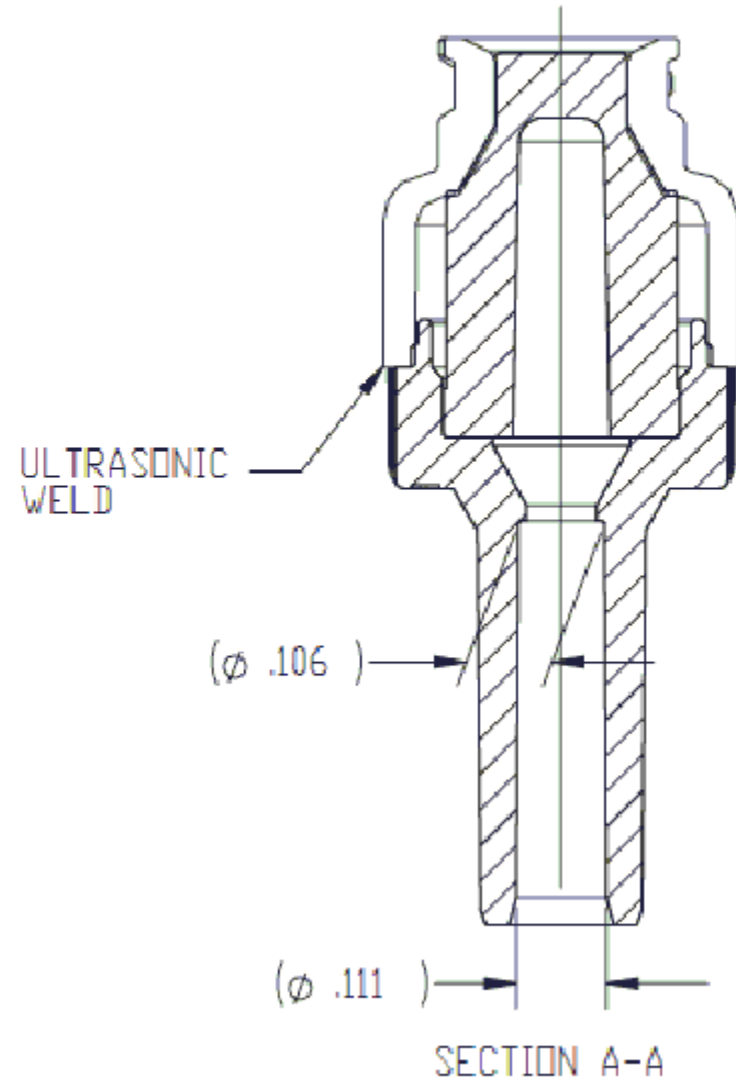
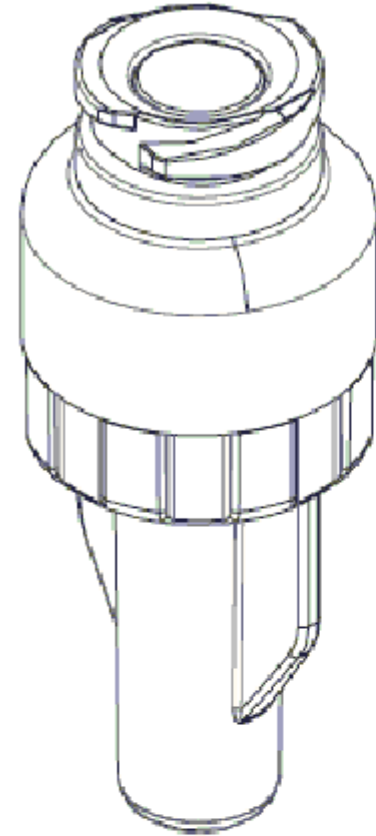


NOTES: FOR ADDITIONAL DETAILS, PLEASE CONTACT VP NEW PRODUCT DEVELOPMENT
 DIMENSIONS MARKED \varnothing ARE CONTROL DIMENSIONS



REVISIONS			
REV.	DESCRIPTION	DATE	APPROVED
A	INITIAL RELEASE	01-08-14	S.N.R

UNLESS OTHERWISE SPECIFIED DIMENSIONS ARE IN INCHES TOLERANCES ARE:		VALUE PLASTICS, INC			
FRACTIONS DECIMAL ANGULAR \pm .XX \pm .01 \pm 1° .XXX \pm .005 .XXXX \pm .001 DO NOT SCALE DRAWING		PART NUMBER: NVF28PC		DESCRIPTION: Tube End Port 2.8mm, Clear Polycarbonate	
DRAWN BY: Jonathan Mayer	DATE: 1/8/2014	SIZE: B	SCALE: NTS	VER: 	DWG. NO. 1027710
MANAGER: Ravi Narayanan		© 2011 VALUE PLASTICS, INC			REV A
				SHEET: 1 OF 1	

FOR REFERENCE ONLY